



# AT-CAB-001 AT-CAS-001

Complete Surveillance-Cabinet Solutions

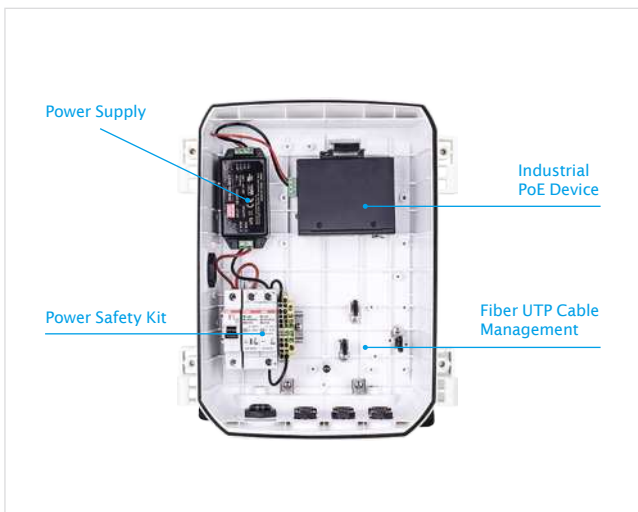


Support All VIVOTEK Cameras · IP66 · IK10 · AC & PoE Surge Protector Included · Single and Multiple Camera Applications

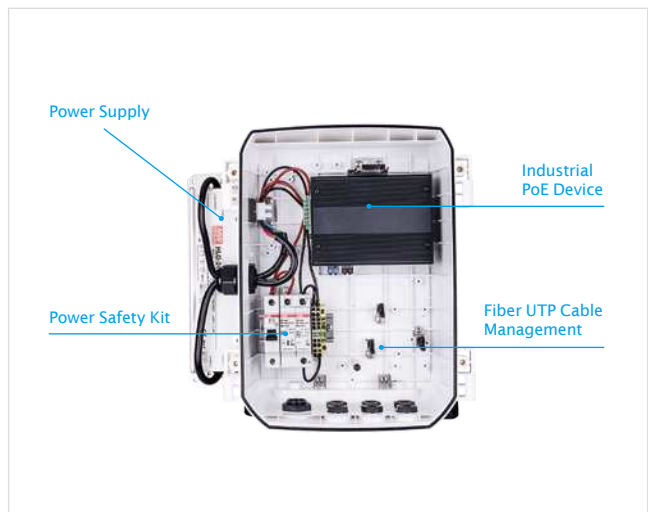
VIVOTEK's AT-CAB-001 and AT-CAS-001 are complete and outdoor-ready surveillance cabinet solutions, built to provide easier installation for any application of VIVOTEK's full range of network cameras, including speed domes, bullets, and fixed dome network cameras as well as for VIVOTEK's outdoor camera enclosures.

In order to cover a wide range of surveillance projects, users can choose from a cabinet only or all the way up to a complete cabinet with power supply, industrial PoE device, fiber media converter, as well as AC & PoE surge protection kits against

lightning. VIVOTEK's AT-CAB-001 and AT-CAS-001 therefore provide both a flexible and turnkey solution for any surveillance scenario. Additionally, by equipping VIVOTEK's AT-CAB-001 and AT-CAS-001 with weather-proof IP66-rated and vandal-proof IK10-rated housing, VIVOTEK ensures full protection against both harsh environments and acts of vandalism. This extra protection makes this series the perfect choice for any exposed outdoor application, such as city surveillance.

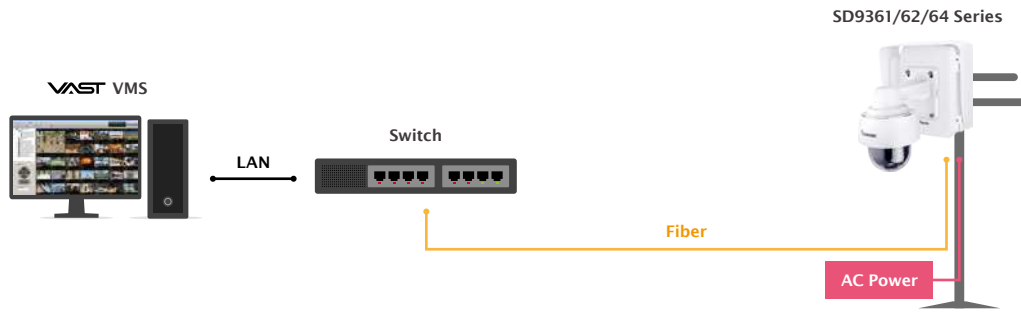


AT-CAB-001/AT-CAS-001



AT-CAB-001/AT-CAS-001+AT-CAB-002

## Set A for Speed Dome



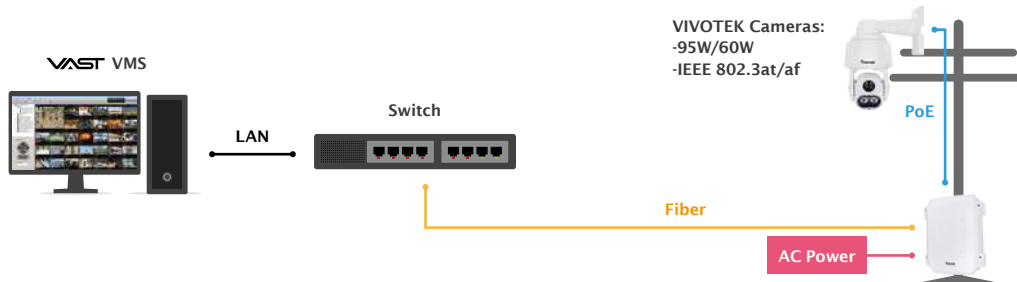
### Set A-1 for SD9361/62 Series Cameras

Ordering Information	
AT-CAS-001	Cabinet for SD936x series speed dome
AT-SUN-001	Sunshield for AT-CAx series cabinet
AT-SWH-000	Power safety kit
HLG-80H-24	90~305VAC in, 24VDC/80W out, IP67, -40°C ~ 70°C
AW-IHS-0203	Industrial Gigabit SFP fiber media converter

### Set A-2 for SD9364 Series Cameras

Ordering Information	
AT-CAS-001	Cabinet for SD936x series speed dome
AT-SUN-001	Sunshield for AT-CAx series cabinet
AT-SWH-000	Power safety kit
HLG-120H-48	90~305VAC in, 48VDC/120W out, IP67, -40°C ~ 70°C
AW-IHS-0203	Industrial Gigabit SFP fiber media converter

## Set B for Single Camera



### Set B-1 for IEEE 802.3at/af Camera

Ordering Information	
AT-CAB-001	Cabinet
AT-SUN-001	Sunshield for AT-CAx series cabinet
AT-SWH-000	Power safety kit
IRM-60-48ST	85~264VAC in, 48VDC/60W out, -30°C ~ 70°C
AW-IHT-0200	Industrial 1xGE 30W PoE + 1xGE SFP switch

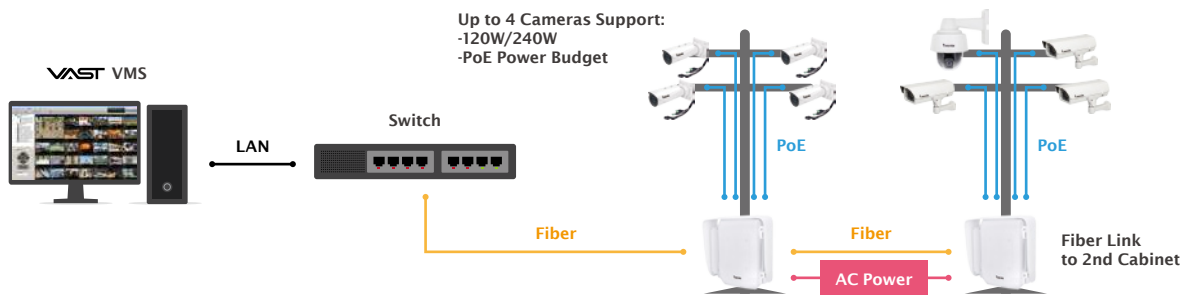
### Set B-2 for SD9361/62 Series Camera

Ordering Information	
AT-CAB-001	Cabinet
AT-SUN-001	Sunshield for AT-CAx series cabinet
AT-SWH-000	Power safety kit
HLG-80H-54	90~305VAC in, 54VDC/80W out, IP67, -40°C ~ 70°C
AW-IHU-0200	Industrial 1xGE 60W UPoE + 1xGE SFP switch

### Set B-3 for SD9364 Series Camera

Ordering Information	
AT-CAB-001	Cabinet
AT-CAB-002	Side-mount bracket for HLG series power supply
AT-SUN-002	Sunshield for AT-CAx + AT-CAB-002 cabinet
AT-SWH-000	Power safety kit
HLG-120H-54	90~305VAC in, 54VDC/120W out, IP67, -40°C ~ 70°C
AW-IHH-0200	Industrial 1xGE 95W PoH/PoE + 1xGE SFP switch

## Set C for Multiple Cameras



### Set C-1 for 4xIEEE 802.3at/af Cameras

Ordering Information	
AT-CAB-001	Cabinet
AT-CAB-002	Side-mount bracket for HLG series power supply
AT-SUN-002	Sunshield for AT-CAx + AT-CAB-002 cabinet
AT-SWH-000	Power safety kit
HLG-120H-54	90~305VAC in, 54VDC/120W out, IP67, -40°C ~ 70°C
AW-IHT-0600	Industrial 4xGE 30W PoE + 2xGE SFP switch

### Set C-2 for 4x60W UPoE Cameras

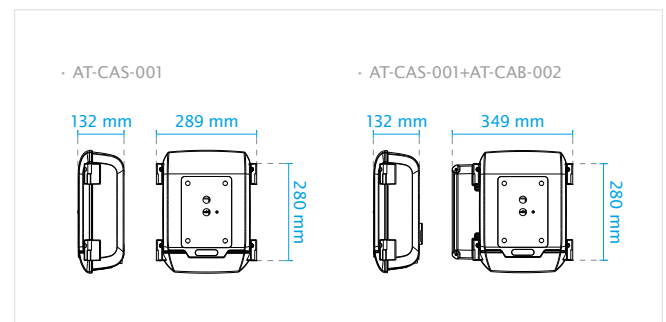
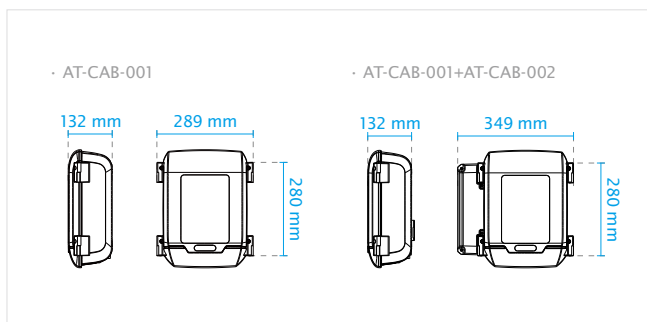
Ordering Information	
AT-CAB-001	Cabinet
AT-CAB-002	Side-mount bracket for HLG series power supply
AT-SUN-002	Sunshield for AT-CAx + AT-CAB-002 cabinet
AT-SWH-000	Power safety kit
HLG-240H-54	90~305VAC in, 54VDC/240W out, IP67, -40°C ~ 70°C
AW-IHU-0600	Industrial 4xGE 60W UPoE + 2xGE SFP switch

## Technical Specifications

Compatible Camera List	All VIVOTEK network cameras
Housing	Weather-proof IP66-rated housing Vandal-proof IK10-rated housing
Operating Temperature	-40 °C to 75 °C (-40 °F to 167 °F)

Humidity	90%
Weight	3.5 kg
Included Accessories	Quick installation guide, accessories pack, stainless steel wall-mount bracket

### Dimensions



## Optional Accessories

Cabinet Accessories			Power Supply Kits		
	AT-CAB-002	Side-mount bracket for HLG series power supply		HLG-240H-54	90~305VAC in, 54VDC/240W out, IP67, -40°C ~ 70°C
	AT-SUN-001	Sunshield for AT-CAx series cabinet		IRM-60-12ST	85~264VAC in, 12VDC/60W out, -30°C ~ 70°C
	AT-SUN-002	Sunshield for AT-CAx + AT-CAB-002 cabinet		IRM-60-48ST	85~264VAC in, 48VDC/60W out, -30°C ~ 70°C
	AT-WPC-001	M16 cable gland for 4~7mm AWG	<b>Industrial PoE Solution</b>		
	AT-WPC-002	M16 cable gland for corrugated tubing : 5/16"		AW-IHS-0200	Industrial FE SC multi-mode 2KM fiber media converter
	AT-SWH-000	Power safety kit		AW-IHS-0201	Industrial FE SC single-mode 30KM fiber media converter
	AT-SWH-002	Door open/close detection switch		AW-IHS-0203	Industrial Gigabit SFP fiber media converter
	AT-PSP-001	PoE surge protector		AW-IHT-0100	Industrial Gigabit 30W PoE injector
	AM-311	Pole monut adapter		AW-IHU-0100	Industrial Gigabit 60W UPoE injector
	AM-411	Corner monut adapter		AW-IHH-0100	Industrial Gigabit 95W PoH/PoE injector
Power Supply Kits				AW-IHT-0200	Industrial 1xGE 30W PoE + 1xGE SFP switch
	NDR-75-48	90~264VAC in, 48VDC/75W out, -20°C ~ 70°C		AW-IHU-0200	Industrial 1xGE 60W UPoE + 1xGE SFP switch
	NDR-120-48	90~264VAC in, 48VDC/120W out, -20°C ~ 70°C		AW-IHH-0200	Industrial 1xGE 95W PoH/PoE + 1xGE SFP switch
	NDR-240-48	90~264VAC in, 48VDC/240W out, -20°C ~ 70°C		AW-IHT-0500	Industrial 4xFE 30W PoE + 1xFE switch
	HLG-80H-24	90~305VAC in, 24VDC/80W out, IP67, -40°C ~ 70°C		AW-IHT-0501	Industrial 4xFE 30W PoE + 1xFE SC multi-mode 2KM switch
	HLG-80H-48	90~305VAC in, 48VDC/80W out, IP67, -40°C ~ 70°C		AW-IHT-0502	Industrial 4xFE 30W PoE + 1xFE SC single-mode 30KM Switch
	HLG-80H-54	90~305VAC in, 54VDC/80W out, IP67, -40°C ~ 70°C		AW-IHT-0600	Industrial 4xGE 30W PoE + 2xGE SFP switch
	HLG-120H-48	90~305VAC in, 48VDC/120W out, IP67, -40°C ~ 70°C		AW-IHT-0601	Industrial 4xGE 30W PoE + 2xGE SFP switch
	HLG-120H-54	90~305VAC in, 54VDC/120W out, IP67, -40°C ~ 70°C		AW-IHU-0600	Industrial 4xGE 60W UPoE + 2xGE SFP switch